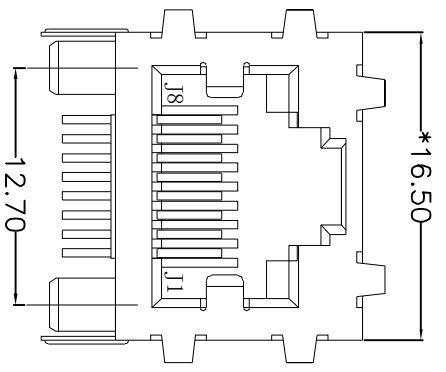
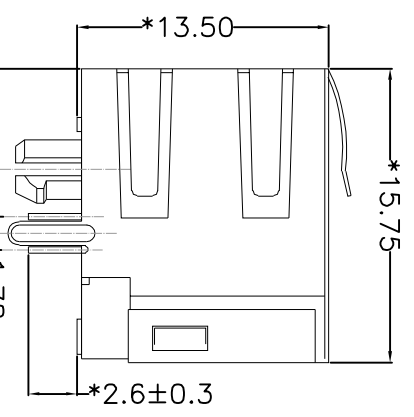


REACH & RoHS
COMPLIANT

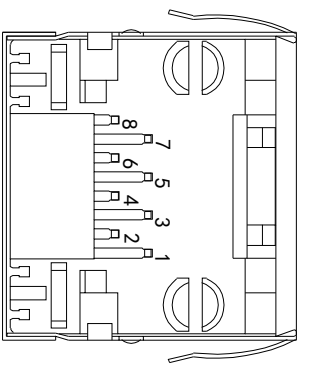
REV.	ECN / DESCRIPTION	BY	DATE
A0	NEW	MOU	2017.11.8



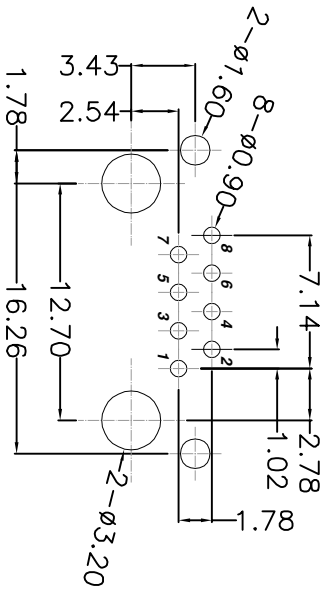
FRONT VIEW



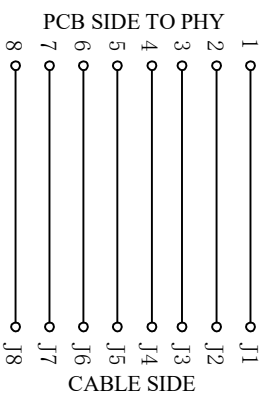
RIGHT SIDE VIEW



BOTTOM VIEW



RECOMMENDED PCB LAYOUT
VIEWED FROM COMPONENT SIDE



MATERIAL:
HOUSING: PA66, UI94V-0, BLACK
TERMINAL: PHOSPHOR BRONZE T-0.35MM,
6U" GOLD PLATING ON CONTACT AREA.
SHIELD: C2680, T=0.20MM, 20U" MIN NICKEL PLATING
ON ALL AREA.

MACHANICAL:
DURABILITY: 750 CYCLES MIN, 12.5MM/MINUTE.
INSERTION FORCE: 2.2KG.F MAX.
RETENTION STRENGTH: 7.7KG.F BETWEEN JACK AND PLUG.
OPERATING TEMPERATURE: -40°C~+85°C.
STORAGE TEMPERATURE: -40°C~+85°C.
ALL CRITICAL DIMENSIONS WITH ^{0.050}

ELECTRICAL:
VOLTAGE: 125 VOLTS AC.
CURRENT RATING: 1.5AMP.
DIELECTRIC STRENGTH: 1000 VAC RMS 50HZ OR 60HZ, 1MIN.
INSULATION RESISTANCE: 500 MEGA OHMS MIN. INITIAL
AFTER 500V DC FOR 1 MINUTE.
CONTACT RESISTANCE: SINGLE TERMINAL 30 MILLIOHMS MAX.
INITIAL 50 MILLIOHMS MAX. AFTER
DURABILITY TEST.

DGKYD

东莞市科优达电子科技有限公司
Dong Guan Ke You Da Electronic Tech. Co., Ltd
ADD: No. 1 LiHe Street, LiHeng Village, Qingxi Town, DongGuan City, Guangdong Province
Tel: +86-0769-87334008; Fax: +86-0769-87847129 WWW.DGKYD.COM

TITLE: RJ45直通 56无灯带屏蔽	SIZE A4	UNITS MM[INCH]	GENERAL TOLERANCES UNLESS SPECIFIED		APPROVED BY: JP. Gong
PART NO.: DGKYD561188HWA2DB4	SACLE 1:1	REV A0	X±0.35	X±3.0°	CHECKED BY: TW. Xu
REMARK:	SHEET 1/1		X±0.30	X±2.0°	DESIGN BY: ZG. Hu
			.XX±0.25	.XX±1.5°	
			.XXX±0.10	.XXX±1.0°	